

Changing cubicles type VITRUM WK

Made of enamelled safety glass

schäfer[®]
Trennwandsysteme



Stylish and elegant partitioning.



BEFORE WE
EXPECT TRUST FROM
OUR CUSTOMERS,
WE PROVIDE EVIDENCE
that's us!

TÜV NORD GS TESTED SAFETY *that's us!*

Tested and certified by TÜV NORD these products meet the requirements of the Product Safety Act ProdSG § 21 Registrier-Nr. 44 329 14148805



MADE IN GERMANY *that's us!*

Our products are manufactured for you at the company site in Horhausen, Rhineland-Palatinate. This is the only way we can guarantee the high quality standards we set for our products.



PREQUALIFIED *that's us!*

We are registered in the list of prequalified construction companies with the number 010.049740, proving that we are qualified for the products and services we offer.



INNOVATIVE & DESIGN-ORIENTED *that's us!*

With our design-oriented and innovative products, we convince not only our customers, but also national and international committees.





Glass as the perfect design for changing rooms.

No material allows as many design possibilities as glass. Its texture and countless colour variations bring architectural concepts for swimming pools to perfection. The minimalist design of Schaefer glass cabins focuses on the material glass and its aesthetics. Thus, the changing rooms and changing cabins become an essential design feature of a room. The durability and high cleanability of a glass partition system are also an investment that pays off: as a high-quality changing area that retains its aesthetics and style for a long time.



(1)

Interesting facts about VITRUM WK

Changing cubicles made of enamelled safety glass

- Consisting of 10 mm toughened safety glass (ESGH) with Heat-Soak-Test
- High-quality aluminium hardware system
- Central locking system allows simultaneous locking of both doors
- Very exclusive and highly stable changing cubicle
- The material glass protects against vandalism due to its surface quality
- Very easy to clean, easy to maintain and hygienic
- Completely waterproof construction
- Ideal for wet and dry areas
- Changing cubicles are made to measure
- Wide range of decors and colours
- Colour selection according to RAL colour chart
- Motif prints optionally possible
- Made in Germany



(2)



(3)

(1)

- Combined rows of changing cubicles and lockers made of glass (ESG-H)
- Optimal guidance of visitors through colours and separation of aisles

(2)

- Collective changing cubicle with classic handle set
- The individual colour concept offers the visitor optimal guidance

(3)

- The combination of changing cubicle and opposite lockers allows a comfortable changing



(1)

- (1)**
 - Changing cubicles with pasted pictograms serve for orientation
 - Particularly easy to clean
- (2)**
 - Changing cubicles with opposite VITRUM GS lockers
- (3)**
 - Collective changing cubicles type VITRUM WK
 - Infinite variety of colours
 - Easy cleaning
 - High resistance to mechanical damage
 - Elegant design
 - Perfect impression even after many years of use
 - Generously designed lettering serves as an orientation aid and design element



(2)



(3)



(1)

(1) + (2) + (3)
Equipment solutions type VITRUM WK
for visitors with physical disabilities

- Generously designed cubicle with sliding doors. The sliding doors are offset so that you can easily switch from a street wheelchair to a swimming pool wheelchair in the cubicle. The sliding handle in the changing area is helpful here
- Directly connected hair drying station made of HPL solid core panels with a built-in, accessible and height-optimised wash basin
- Height-optimised door handles
- Pictograms on the doors make the cubicle use clear
- Completely water-resistant construction
- Cubicle offers generous space for moving around
- The seat has a side support bar and an additional comfort handle on the cross support

(4)

- Changing cubicles with glass undercounter lockers directly opposite each other



(2)



(3)



(4)



Customized motif walls also enable unique partition designs and create themed concepts throughout the changing area. The motif is already printed onto the carrier plate during glass production. This gives the glass the same high surface quality as conventional screen printing.

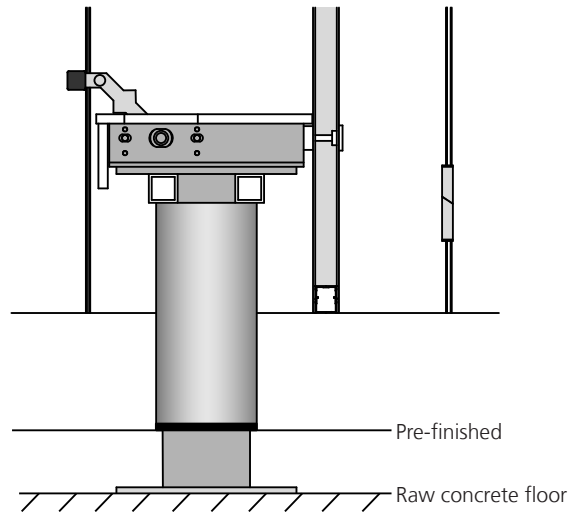


Changing cubicles
with a central middle foot:
good looking and money
saving at the same time!

- Up to 75% less feet
- Less cleaning effort
- Lower cleaning costs
- Less damage from cleaning machines
- Floating look improves appearance

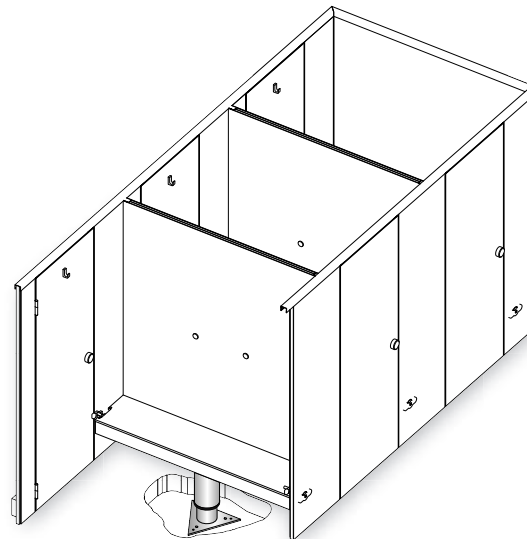


For comparison:
changing cubicle with support feet in the front



The central middle foot: the load-bearing structure with a long-term perspective.

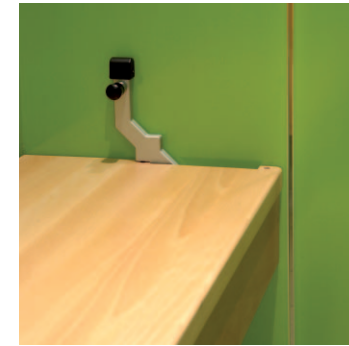
- Central feet under the cubicle benches are anchored to the bare floor and support the entire cubicle system
- Feet in the front are largely unnecessary
- This has advantages for long cubicle life:
 - more hygienic
 - lower cleaning costs
 - less damage from cleaning machines
 - top class look



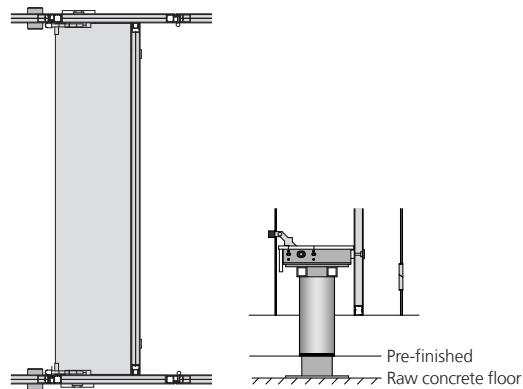
Example of the cost savings with 40 changing cubicles

Example changing cubicles	with supports	with central support
Qty of changing cubicles	40	40
Supports per cubicle	4	1
Hourly wages of a cleaning person	23,00 €	23,00 €
Cleaning effort per support	15 sec.	10 sec.
Cleaning effort per day	40 min.	6,7 min.
Cleaning effort per year	244 Std.	41 Std.
Cleaning costs of supports per year	5.612,00 €	943,00 €
Costs savings per year		4.669,00 €

Est. costs of the central supports at the changing cubicles	18.000,00 €
Amortization after years, est.	4

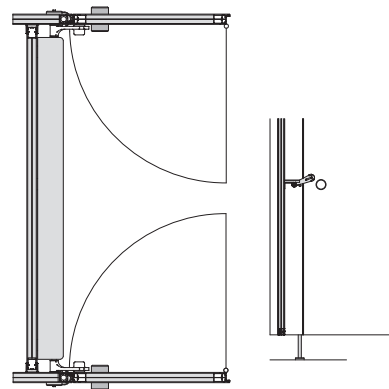


Construction of central locking device



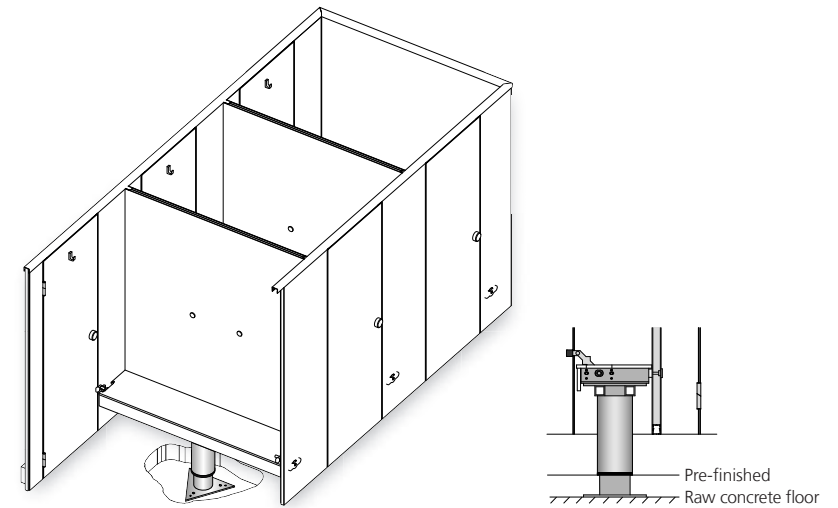
The changing cubicle can be locked synchronously using the central under bench lock. Alternatively, it can be locked using central lever locking.

Central lever locking construction



Synchronous locking of the changing cubicle with central lever locking.

Central middle foot construction

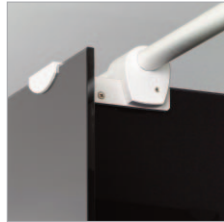


The optional central midfoot under the cubicle bench is anchored to the raw concrete floor. This means that the entire cubicle can be supported on one foot and feet in the front are largely unnecessary.

We reserve the right to make technical alterations.

Features Type VITRUM WK

Headrail:



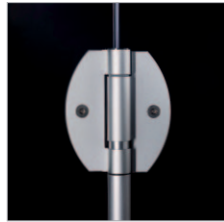
- Upper bracket with recessed head rail
- The front is stabilised with solid aluminium brackets and a stabilising aluminium connector

Supports:



- Lower bracket with recessed aluminium support
- Aluminium bracket and aluminium connector form a very strong connection between the cubicle front and the dividing walls

Hinges:



- Maintenance-free, self-closing hinges with high performance polymer inserts
- Optionally available with soft close function for noiseless door closing

Central middle foot under the cubicle benches optional:



- The optional central foot under the cabin bench seat is already anchored to the raw floor
- The complete cabin is thereby on one foot

Variation of accessories type VITRUM WK

Hardware:



Aluminium
one hand door knob



Central
under bench lock

Buffer and hooks:



Aluminium buffer
Schäfer AL7015



Aluminium hook
Schäfer AL7010

Hangers:



Hanger made of
unbreakable nylon



Nylon hanger
with net for clothes



Nylon hanger
with additional
shoe hook



Nylon hanger
with shoe hook and net

Variation of accessories type VITRUM WK

Mirrors and shelves:

Mirrors and shelves made of HPL solid grade laminate can be added optional to each changing and dressing room.



Changing tables:

Changing table with additional storage space and waste collector integrated into a family changing cubicle.



[To the individual changing tables >](#)

[To the sanitary accessories >](#)

Colours type VITRUM WK

The following table shows the available colours for our Vitrum product range. Price group 1 (PG 1) is included in the pricing. The surcharge for price group 2 (PG 2) is available upon request. Other RAL colours, RAL Design colours and NCS colours are available upon request.

RAL Number	Colour	Price Group
1001	Beige	PG 1
1002	Sandgelb	PG 1
1003	Signalgelb	PG 1
1005	Honiggelb	PG 2
1007	Narzissengelb	PG 1
1013	Perlweiß	PG 1
1014	Elfenbein	PG 1
1015	Hellelfenbein	PG 2
1016	ähnlich Schwefelgelb	PG 1
1017	Safrangelb	PG 1
1018	Zinkgelb	PG 1
1019	Graubeige	PG 2
1021	Rapsgelb	PG 2
1023	Verkehrsgelb	PG 1
1027	Currygelb	PG 2
1028	Melonengelb	PG 2
1032	Ginstergelb	PG 1
1033	Dahliengelb	PG 1
1034	Pastellgelb	PG 2
1036	Perlgold	PG 2
1037	Sonnengelb	PG 2
2000	Gelborange	PG 2
2001	Rotorange	PG 2
2002	Blutorange	PG 2
2003	Pastellorange	PG 2
2004	Reinorange	PG 1
2007	Leuchthellorange	PG 2
2008	Hellorange	PG 2
2009	Verkehrsorange	PG 2
2011	Tieforange	PG 1

RAL Number	Colour	Price Group
2012	Lachsorange	PG 2
2013	Perlorange	PG 2
3000	Feuerrot	PG 1
3001	Signalrot	PG 2
3002	Kaminrot	PG 2
3003	Rubinrot	PG 1
3004	Purpurrot	PG 2
3005	Weinrot	PG 2
3009	Oxidrot	PG 2
3011	Braunrot	PG 2
3013	Tomatenrot	PG 1
3014	Altrosa	PG 2
3016	Korallenrot	PG 1
3017	Rose	PG 1
3018	Erdbeerrot	PG 1
3020	Verkehrsrot	PG 1
3022	Lachsrot	PG 1
3028	Reinrot	PG 2
3031	Orientrot	PG 2
4002	Rotviolett	PG 2
4004	Bordeauxviolett	PG 2
4007	Purpurviolett	PG 2
4009	Pastellviolett	PG 2
5000	Violettblau	PG 2
5002	Ultramarinblau	PG 2
5003	Saphirblau	PG 2
5005	Signalblau	PG 2
5007	Brillantblau	PG 2
5009	Azurblau	PG 2
5010	Enzianblau	PG 2

Colours type VITRUM WK

The following table shows the available colours for our Vitrum product range. Price group 1 (PG 1) is included in the pricing. The surcharge for price group 2 (PG 2) is available upon request. Other RAL colours, RAL Design colours and NCS colours are available upon request.

RAL Number	Colour	Price Group
5011	Stahlblau	PG 2
5012	Lichtblau	PG 2
5014	Taubenblau	PG 1
5015	Himmelblau	PG 2
5017	Verkehrsblau	PG 2
5018	Türkisblau	PG 1
5019	Capriblau	PG 2
5021	Wasserblau	PG 1
5022	Nachtblau	PG 2
5023	Fernblau	PG 2
5024	Pastellblau	PG 2
6000	Patinagrün	PG 1
6018	Gelbgrün	PG 1
6019	Weißgrün	PG 1
6024	Verkehrsrgrün	PG 2
6026	Opalgrün	PG 1
6027	Lichtgrün	PG 1
6029	Minzgrün	PG 1
6032	Signalgrün	PG 2
6033	Minttürkis	PG 1
6034	Pastelltürkis	PG 1
6036	Perlopalgrün	PG 2
7001	Silbergrau	PG 1
7004	Signalgrau	PG 1
7005	Mausgrau	PG 2
7006	Beigegräu	PG 1
7011	Eisengrau	PG 1
7012	Basaltgrau	PG 1
7015	Schiefergrau	PG 2
7016	Anthrazitgrau	PG 1

RAL Number	Colour	Price Group
7021	Schwarzgrau	PG 2
7022	Umbragrau	PG 2
7023	Betongrau	PG 2
7024	Graphitgrau	PG 2
7030	Steingrau	PG 2
7032	Kieselgrau	PG 2
7035	Lichtgrau	PG 1
7036	Platingrau	PG 1
7037	Staubgrau	PG 2
7038	Achatgrau	PG 1
7039	Quarzgrau	PG 2
7040	Fenstergrau	PG 1
7042	Verkehrsrgrau A	PG 1
7047	Telegrau 4	PG 1
7048	Perlmausgrau	PG 2
8003	Lehmbraun	PG 2
8004	Kupferbraun	PG 2
8007	Rehbraun	PG 2
8017	Schokoladenbraun	PG 2
8019	Graubraun	PG 2
8029	Perlkupfer	PG 2
9001	Cremeweiß	PG 2
9002	Grauweiß	PG 1
9003	Signalweiß	PG 1
9005	Schwarz	PG 1
9007	Graualuminium	PG 2
9010	Reinweiß	PG 1
9017	Verkehrsrsschwarz	PG 1
9018	Papyrusweiß	PG 2
9022	Perlhellgrau	PG 2

